

SONY

Car Stereo Service Bulletin

Sony Service Company - Technical Services
A Division of Sony Corporation of America
Sony Drive, Park Ridge, New Jersey 07656

Model: XM-801

No. 133

Subject: Thermal Protector Trip Point

Date: May 8, 1989

Symptom:
(12)

The thermal protector reacts prematurely during high-power playback (maximum power at no distortion).

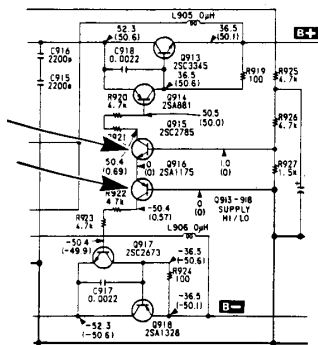
Cause:
Q915 and Q916 are defective. In the stereo mode, the voltage applied to these transistors exceeds the rating voltage so the temperature of the power amplifier IC rapidly increases when the transistors prove defective.

Solution:

Change Q915 and Q916.

| Ref. No. | Description | | Part Number |
|----------|-------------|----------|--------------|
| | Former | New | |
| Q915 | 2SC2785 | 2SC2459 | 8-729-245-91 |
| Q916 | 2SA1175 | 2SA988-F | 8-729-108-14 |

Serial Numbers Applicable: 11,201 - 13,000



Amplifier
CSA-14

Reference: TN: AU89003

PRINTED IN U.S.A.
CSA-14489-9